

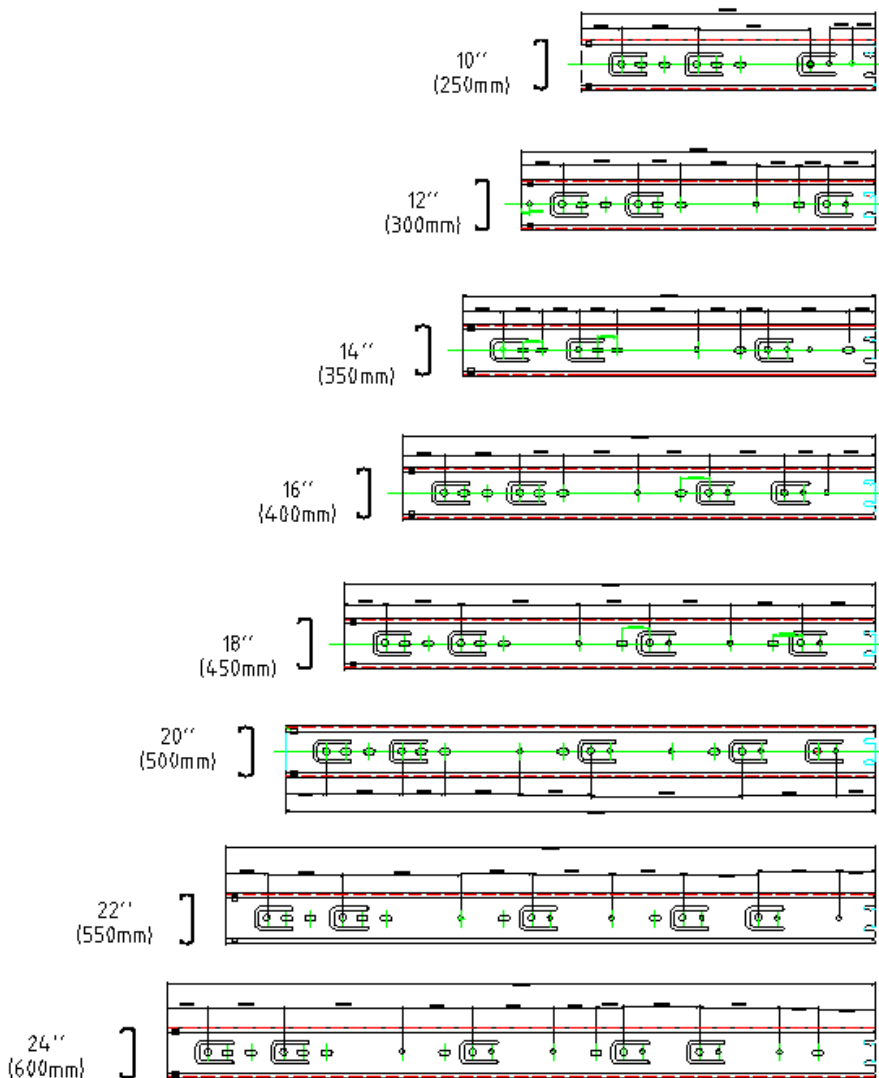
» Superior Quality » Competitive Price » Great Customer Service » Quick Order Fulfillment

## Data Sheet For S7000



### Suitable for :

- » Commercial Cabinetry
- » Commercial Desk
- » Residential Cabinetry
- » Case work
- » Credenza Drawer



### Screw Diameter

- Main holes = 6mm
  - Adjustment holes = 4.5mm
- \*\* Please zoom for clarity.**

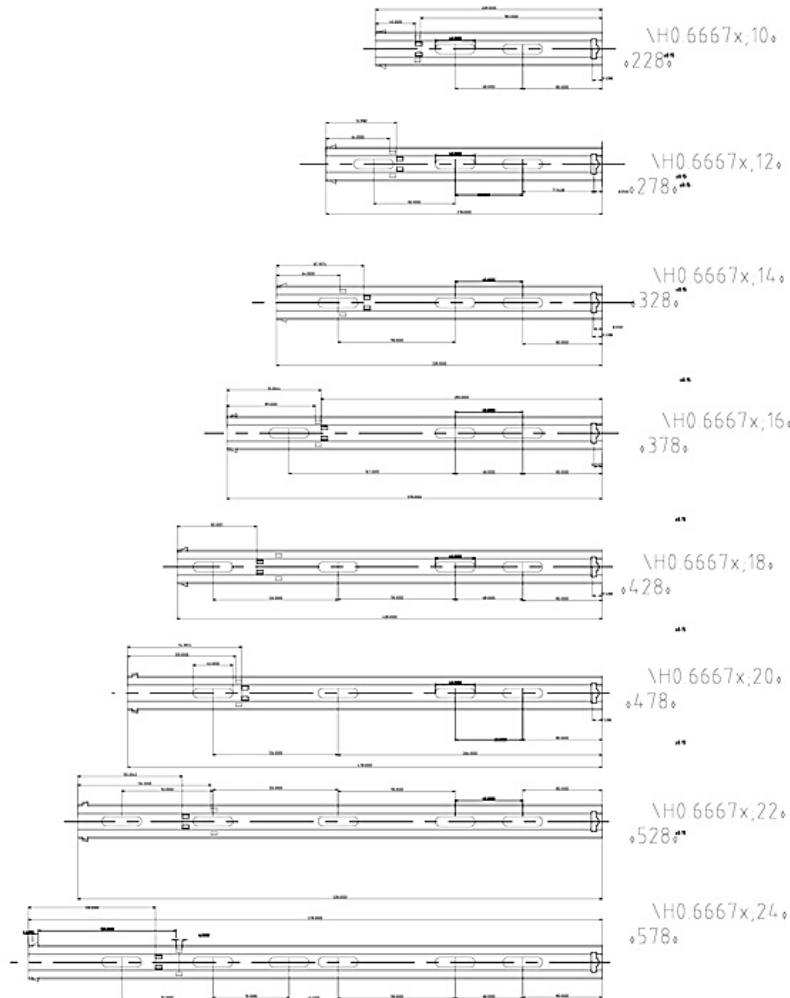
Cabinet member of S7000, 43mm



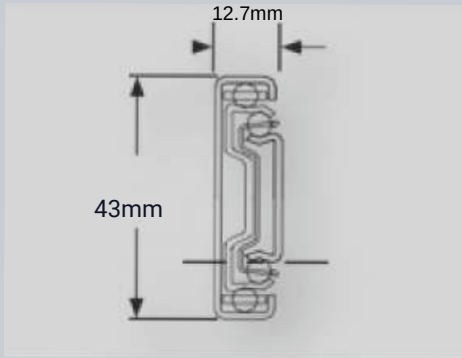
Raceway  
& Rails

Bumper, cabinet,  
intermediate & drawer  
members

- Galvanized cold-rolled steel for the base product.
- Zinc coated cold-rolled steel available.
- Steel Ball bearings of **4.75mm** in diameter.
- **45kg** load rating.
- Full extension of slides.
- Steel thickness of **0.9mm** (customizable).



Intermediate member of S7000, 43mm



Height & width

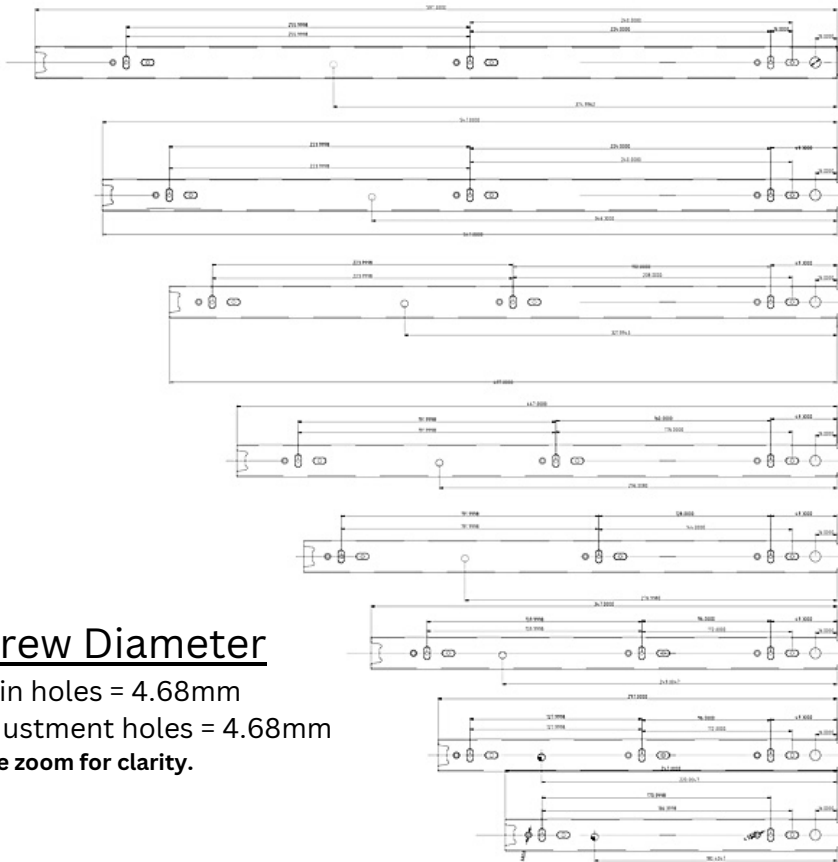


Guide block, Latch  
for disconnecting  
drawer member

Lengths available for production

250mm | 300mm | 350mm |  
400mm | 450mm | 500mm |  
550mm

\*\*\* We also offer customizable lengths.



\H0.6667x,24  
ø597

\H0.6667x,22  
ø547

\H0.6667x,20  
ø497

\H0.6667x,18  
ø447

\H0.6667x,16  
ø397

\H0.6667x,14  
ø347

\H0.6667x,12  
ø297

\H0.6667x,10  
ø247

Screw Diameter

- Main holes = 4.68mm
- Adjustment holes = 4.68mm

\*\* Please zoom for clarity.

Drawer member of S7000, 43mm